



SUPER SLIM AND ULTRA SLIM FREE FLOAT RAIL SYSTEMS

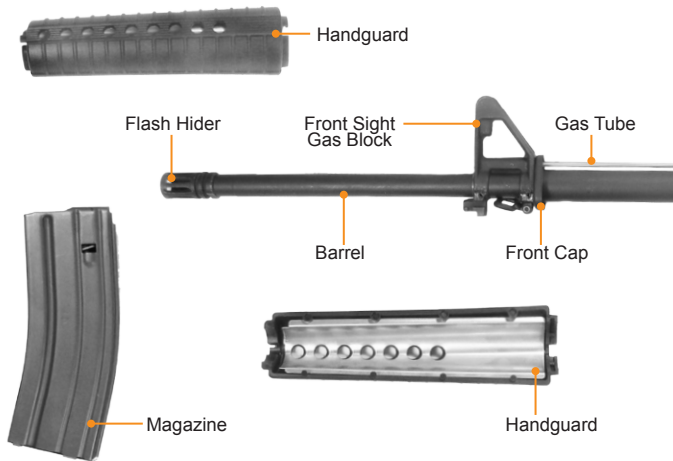
- Proudly Designed and Made in **USA**
- Super Lightweight, Flush Fitting, and Continuous with Flat Top AR15 Upper Receiver
- Features Integral Anti-rotation Tabs for Accurate Alignment with the Upper Receiver while Completely Preventing the Handguard From Rotating Under Heavy Use
- Ergonomic Octagonal Profile with Grooved Surface for a Solid, yet Comfortable Grip
- Scalloped Top Picatinny Rail Edges for Easy and Snag Free Accessory Mounting
- Precision Machined from 6061-T6 Aircraft Aluminum
- Designed to Fit with Standard Gas Tube and Barrel Diameter Not Exceeding 1"; Not Compatible with Piston System, Redesigned, or Oversized Upper Receivers

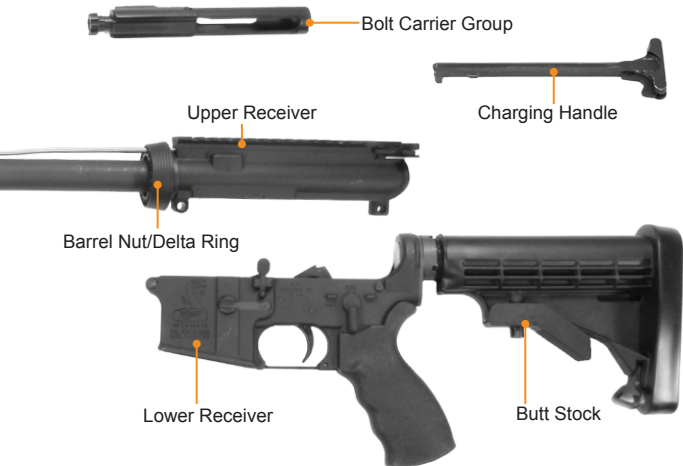


AR15

**SUPER SLIM AND ULTRA SLIM
FREE FLOAT RAIL SYSTEMS**

AR15 RIFLE COMPONENT REFERENCE



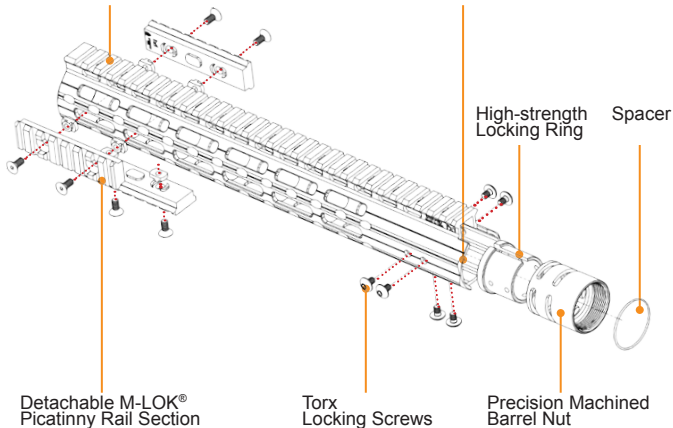


INNOVATIVE FREE FLOATING DESIGN

(US PAT. 8806792)

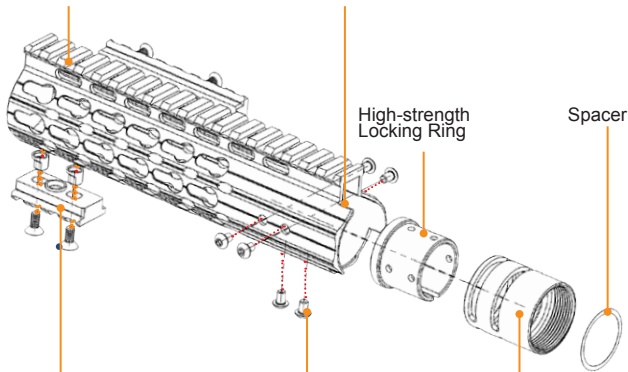
M-LOK® Free Floating Handguard

Integral Anti-rotation Tabs for Accurate Alignment with Upper Receiver



Keymod Free Floating Handguard

Integral Anti-rotation Tabs for Accurate Alignment with Upper Receiver



High-strength Locking Ring

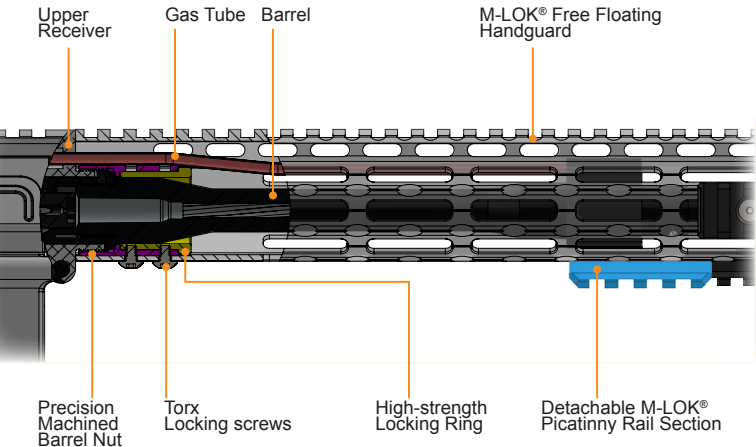
Spacer

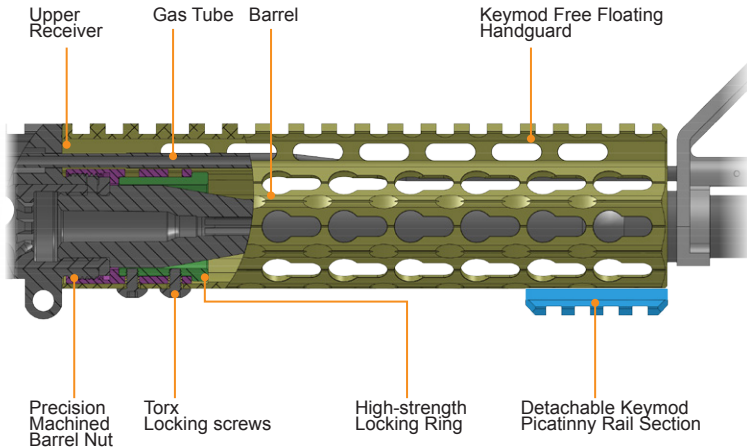
Detachable Keymod Picatinny Rail Section

Torx Locking Screws

Precision Machined Barrel Nut

AFTER INSTALLATION





AR15 SUPER SLIM AND ULTRA SLIM FREE FLOAT RAIL SYSTEM INSTALLATION



Remove the original plastic handguard using the handguard removal tool.



Remove the lower receiver and bolt carrier group and charging handle.

Caution: Make sure firearm is not loaded. Remove magazine and examine chamber. Use safe handling procedures at all times.

Note: Barrel Direction: ← Barrel (Pointing Left) or Barrel → (Pointing Right)



Remove the flash hider by turning it counterclockwise with an AR15 combo wrench.



Securely place the barrel on a well padded flat surface. Using a hammer and punch, tap out the two pins at the bottom of the front sight/gas block. Remove the front sight/gas block, the gas tube, and front handguard cap.



Clamp the upper receiver on a vise with an AR15 upper receiver vise block. Loosen the barrel nut by turning it counterclockwise with an AR15 barrel nut wrench. Remove the original barrel nut and delta ring assembly.



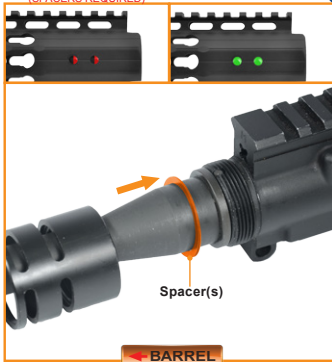
Remove all parts from the package.

INCORRECT
(SPACERS REQUIRED)

CORRECT

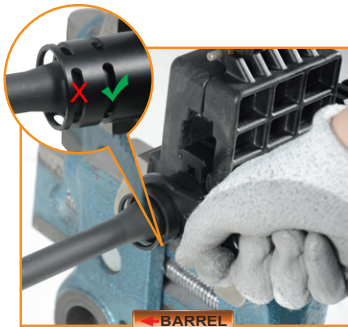


Carefully read the yellow warning sticker on the Barrel Nut on which correct slot to use for installation before removing the sticker. Fit the free floating Barrel Nut on the upper receiver and hand tighten. To test alignment, fit the handguard over the barrel and place over the Barrel Nut. Ensure the threaded holes on the handguard align with the slots on the Barrel Nut. If the alignment is correct then move to step 10.



THIS STEP IS VERY RARELY NEEDED

If you cannot achieve the proper alignment, use included Spacer(s) to achieve the proper alignment of the threaded holes on the handguard with the slots on the Barrel Nut.



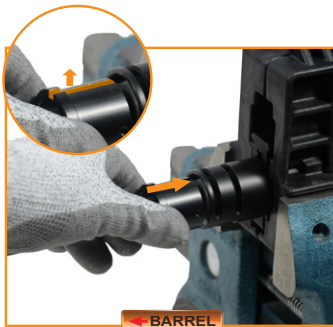
Place the Barrel Nut Wrench in the second slot on the Barrel Nut (closer to the receiver). **NEVER USE THE FIRST SLOT TO TIGHTEN.**

Warning: Max. torque value for installing barrel nut should not exceed 60 ft-lb.

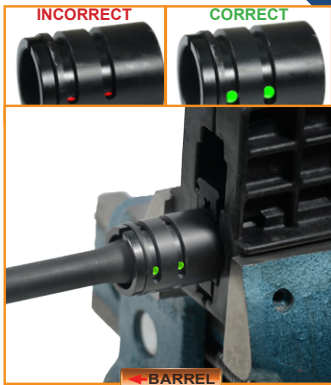


Use the Barrel Nut Wrench to securely tighten the Barrel Nut with enough tension (**35 ft-lb.**). **(We recommend using a torque wrench to achieve proper tension).**

Warning: These steps need to be done gently. **DO NOT** tighten aggressively. Apply a smooth, steady pressure to fully secure the Barrel Nut. The teeth of the wrench must be **FULLY SEATED** into the 2nd slot on the Barrel Nut each time you release and apply pressure again.



Slide the Locking Ring into the Barrel Nut, making sure the alignment slot on the Locking Ring is vertical and facing upward.



Make sure none of the 6 threaded screw holes on the Locking Ring are blocked by the Barrel Nut. **If necessary, refer to step 9 to install a spacer or tighten the barrel nut a little further to allow access to the 6 screw holes. MAKE SURE NOT TO EXCEED 60 ft-lb OF TORQUE.**

Installation of a low profile gas block must occur before locking the Handguard to the barrel nut.



Carefully slide the handguard over the Barrel Nut/Locking Ring assembly. Make sure there is a positive connection between the top rail of the handguard and the top rail of the receiver (there should be NO gap here). If you lose the alignment of the Locking Ring, use your Hex Wrench to realign the threaded holes.

If desired, apply a small amount of locking compound to the 6 Torx screws prior to tightening.



Once you achieve the proper alignment of the threaded holes on the Locking Ring to those on the handguard rail, use the T20 Torx Wrench and 6 of the Locking Torx Screws to securely lock the handguard to the Barrel Nut/Locking Ring assembly.

- Apply (**25 in-lb**) torque to secure screws
- 6 Screws: 2-left, 2-right, 2-bottom

PRODUCT FEATURES



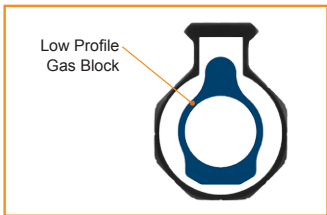
Integral Anti-rotation Tabs for Accurate Alignment with the Upper Receiver



Flush Fitting and Continuous with Flat Top AR15 Upper Receivers



Slim Design for Comfort and Weight Reduction



Accommodates Most Low Profile Gas Blocks

ATTACHING KEYMOD PICATINNY RAIL SECTION

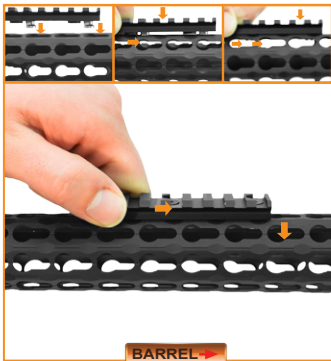


Hold the Keymod Nut in place and loosen the screw by turning it counter-clockwise with the included 3/32" Hex Wrench. Do not fully detach the Keymod Screw from the Keymod Nut.



Place the rail with the Keymod Nuts onto the desired slots of the handguard, inserting the nuts through the larger opening of the Keymod Slots with the protruding feet of the nuts pointing toward the muzzle of the firearm.

NOTE: The Keymod Nut and Screw can be fully disassembled if needed.



Once the Keymod Nuts are in the slots, carefully slide the Rail Section forward until it fully seats into and engages the handguard, with little to no gap between the Rail Section and the handguard.

If desired, apply a small amount of locking compound to the screws prior to tightening.

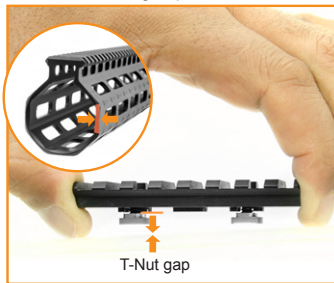


Once the Rail Section is seated properly, use the included 3/32" Hex Wrench to hand-tighten the screws on top of the Picatinny Rail Section to lock it securely to the Keymod Compatible Handguard. Do not over-torque.

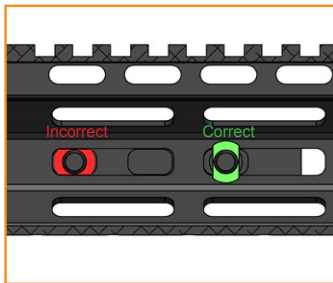
- Apply (15 in-lb) torque to secure screws

ATTACHING M-LOK® PICATINNY RAIL SECTION

To install your detachable M-LOK® Picatinny rail section or other M-LOK® accessories, please refer to the following steps.

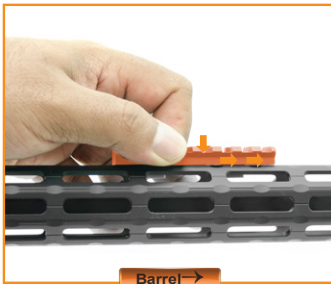


In order to properly secure a rail section or other M-LOK® accessory on your rail system, the T-Nut gap must be slightly larger than the rail thickness. Either measure the rail thickness or use the edge of the rail as a gauge.



If the T-Nuts are spaced with too much gap they will rotate freely when trying to tighten. Alternately, if the T-Nuts are not spaced with enough gap they will not rotate at all. Observe the T-Nut during the installation process to be certain that they have rotated to their correct position as shown.

Caution: Other accessories (e.g. polymer product) may require different torque values for installation. Refer to manufacturer's operator manual for correct specification.



Make sure the rail section/accessory is fully seated and flush on the rail system. "Bias" the rail section by applying pressure downward and towards the muzzle.



Insert the supplied Hex Key into the rail section screws and rotate them clockwise. Apply a maximum of 30 in-lb.