

U S E R
MANUAL



Leapers

WWW.LEAPERS.COM

T H E B E S T N E V E R R E S T

Leapers, Inc.

Proudly Presents



MAGNIFIERS
SCOPES
DOT SIGHTS

TOTAL SOLUTION TO YOUR NEEDS

-COMMITMENT TO BEST QUALITY, BEST VALUE AND BEST SERVICE-

www.LEAPERS.com

32700 Capitol Street, Livonia, MI 48150, U.S.A.

Tel:(734)542-1500

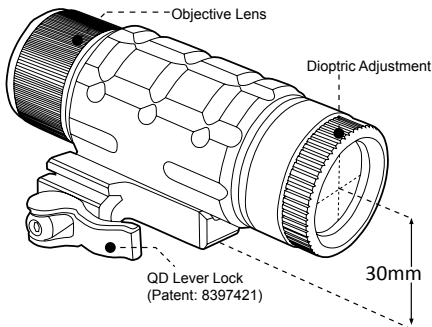
Fax:(734)542-7095

Email:office@leapers.com

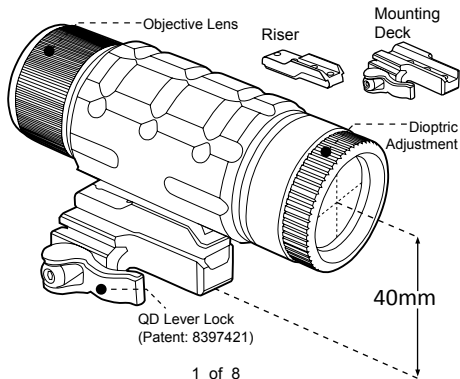
UTG NEW GEN 3X MAGNIFIER

MODEL NO.: SCP-MF3WQ

Low Profile Configuration with Mounting Deck Only



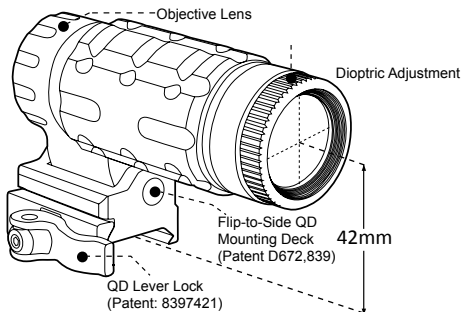
Medium Profile Configuration with Riser & Mounting Deck



UTG FLIP-TO-SIDE 3X MAGNIFIER

MODEL NO.: SCP-MF3WQS

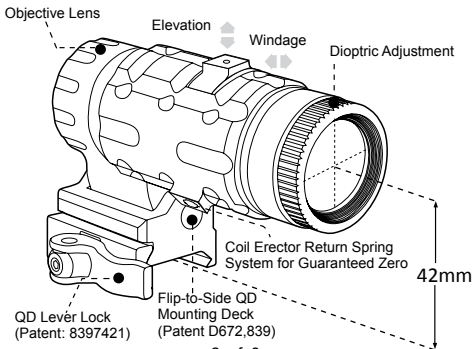
Medium Profile Configuration with Flip-to-Side QD Mounting Deck



UTG FLIP-TO-SIDE 3X W/E MAGNIFIER

MODEL NO.: SCP-MF3WEQS

Medium Profile Configuration with Flip-to-Side QD Mounting Deck and Windage/Elevation Adjustment



A. Specifications

Magnification	3X
Objective Diameter	25mm
Field of View	9°
Exit Pupil Diameter	8.7mm
Eye Relief	51mm
Dioptric Adjustment	+/- 1 D
Tube Length	102mm
Weight	SCP-MF3WQ : 260g SCP-MF3WQS : 280g SCP-MF3WQS : 335g
Lens Coating	Broadband Multi-layer
Compatible Rail	Picatinny/Weaver

B. Major Features:

- ▶ **Rock Solid Robust Construction with High Quality Precision Machined Parts**
 - Precision machined to exact tolerances from aircraft-grade aluminum alloy for maximum strength.
 - Completely sealed and nitrogen filled to eliminate risk of water ingress and fogging.
- ▶ **Multi Layer Lens Coating for Optimum Light Transmission**
 - Unique high tech lens coating applications ensure much superior light transmission and optimize optical performance.
 - Multi layer coatings allow for maximum utilization of all ambient light to optimize resolution and clarity.
- ▶ **3X Magnification and Optic Enhancer for Most Dot Sights**
 - Ideal profiles for low profile applications that are close to the bore or medium profile applications for co-witnessing with iron sights.
 - Built-in corrective lens system to turn a glaring dot

to the perfect dot when used with a dot sight.

- Magnified view through a sharp dot sight provides an instant improvement on accuracy without any compromises.

▶ **Versatile and Dependable Quick-detach Mounts for a Wide Variety of Applications (SCP-MF3WQ)**

- Low profile quick detachable mount with adjustable positions for optimal eye relief.
- A smart riser raises the center height with adjustable positions for further eye relief adjustment.

▶ **Innovative and Solid Flip-to-Side Design for Tactical Applications (SCP-MF3WQS, SCP-MF3WEQS)**

- At vertical position, medium profile to perfectly co-witness with dot sights and AR iron sights, providing 3X magnification for accurate aiming.
- At flip-over position, clear the view for quick aiming with dot sight only.
- Easy one-hand switch between two positions, and solid locking in each position with no wobbling under recoil.



C. Mounting the Magnifier:

Fig 1.

CAUTION: Always ensure your rifle is UNLOADED, UNCOCKED and, where applicable, the safety catch is applied before fitting the scope. Practice safe handling procedures at all times.

1. Follow proper installation procedures to install your dot sight on the rifle.
2. For SCP-MF3WQ and SCP-MF3WEQS, the magnifier comes with a low profile QD mount and a versatile riser. Use the mount only or both mount and riser to match your dot sight center height.
3. Hold the magnifier behind the dot sight over the rifle at your natural shooting position. Locate a proper position for the magnifier so you can achieve a full field of view. The low profile QD mount works with or without the riser to offer adjustable positions for optimal eye relief shown in **Fig 1**. It may require adjustment of the dot sight position.

4. For SCP-MF3WQS/SCP-MF3WEQS, go to Step 5.
For SCP-MF3WQ, based on your selection in Step 2,
attach the mount/riser as follows:

- **For QD Mount Only:**

The mount comes with 3 locking holes allowing space adjustment to achieve optimal eye relief. The mount can be used bi-directionally per your preference.

Locate two set screws

and install a spring washer onto each screw. Based on your eye relief preference in Step 3, select two holes on the QD mount, fit the mount against the mating base on the magnifier, and align the mount holes with the magnifier holes. Install and fasten the set screws to fully secure the mount as shown in **Fig 2**.

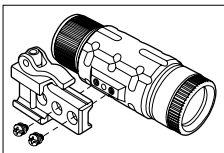


Fig 2.

- **For QD Mount with Riser:**

This configuration offers many different options from the bi-directional mounting feature for both the QD mount and the riser. The riser can be installed in either direction depending on your preference. The same for the QD mount. (NOTE: Figures included only show one example direction.) Locate four set screws and install a spring washer onto each screw.

- I. **Install Riser:** Align the riser to the mating base on the magnifier based on the direction suitable for your application. Install and fasten two set screws to fully secure the riser as shown in **Fig 3**.

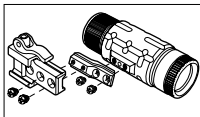


Fig 3.

- II. **Install QD Mount:** Based on your eye relief preference in Step 3, select two holes on the QD mount and align them to the mating holes on the extruded part of the riser. Install and fasten the remaining two set screws to fully secure the mount as shown in **Fig 3**.

5. Align and install the magnifier onto the Picatinny rail with the position selected in Step 3. Follow instructions below to adjust for optimal tension for quick detach, locking and unlocking.

- a. Turn the Cam Lever toward its unlocked position as shown in **Fig 4**. Place the QD mount on the Picatinny rail at the desired position. Make sure to seat the cross bolt into a selected slot.



Fig 4.

- b. Turn the Cam Lever toward the locking position to begin locking the QD mount on the rail, but do not complete the locking motion, leaving some travel distance to allow for adjustment.
- c. Use the included Allen wrench to adjust the hex screw at the side of the cam for proper tension and fit against the rail. Adjust clockwise to increase the tension and tighten the clamping width. Adjust counter-clockwise to decrease the tension and increase the clamping width.
- d. The optimal tension is achieved when the side plate first makes contact with the Picatinny rail while the Cam Lever still has enough travel left for you to securely snap into its locking position. Once you achieve the optimal tension, push the Cam Lever all the way for a positive lock onto the rail. You may repeat Step c and d if needed to find the best clamping tension and locking position for your mount.
- e. Now your QD Cam Lever is set for quick detach operations. You may regularly inspect and adjust the tension for best fit.

D. Switch Between Vertical/Flip-over Positions (for SCP-MF3WQS/SCP-MF3WEQS):

- I. Pull the magnifier back towards you allowing the pins inside the hinge component to be unlocked as shown in **Fig 5**.
- II. Rotate the magnifier clockwise till the hinge component is locked, so that your view is not obstructed as showing in **Fig 6**.



Fig 5.



Fig 6.

E. Adjusting Focus / Diopter Setting:

NOTE: Different individuals will have different eye focus which will result in different diopter setting. A person will use different diopter settings with or without eye glasses. The repeating process below may cause eye strain and contribute to parallax error. It will help if you can briefly look away from the eye piece and then look back through it.

1. Aiming your dot sight/magnifier at a distant target.
2. Slightly rotate the focus ring until you have the sharpest image as shown in **Fig 7**.



Fig 7.

F. Care and Maintenance:

1. Take care not to drop or knock the magnifying scope once it is zeroed.
2. Maintain the metal surface of the magnifying scope by removing any dirt or sand with a soft brush so as to avoid scratching the finish.
3. Wipe the lens with a clean flannel cloth to keep it clean and dry. In order to avoid scratching the glass, ensure both the lens and cloth are clean. Do not use finger or finger nail to touch/clean lenses.
4. Store the magnifying scope in a cool dry place when not in use. Be careful to avoid contact with acid, alkaline or corrosive chemicals.

5. Do not attempt to lubricate any part of the magnifying scope.
6. Do not disassemble the magnifying scope. Do not loosen or remove screws or parts. Any such or similar actions will void the warranty.

CAUTION: Viewing the sun can cause serious eye injury. Never look directly into the sun with this or any scope.

G. Lifetime Manufacturer's Warranty

Warranty against material or workmanship defects applies based on the following conditions -

- Magnifier scope was a first-hand purchase. Evidence of purchase is required for warranty service. Warranty is not transferrable.
- Magnifier scope was not disassembled, parts/ screws not removed or loosened, and the scope was not tampered with in any way. Any evidence of such interference will void the warranty.
- Magnifier scope has not been abused, maliciously damaged or treated in a manner not in keeping with the purpose it was designed for.

For Warranty service, please contact the scope distributor and provide a written problem description to obtain a Return Authorization Number before returning the product for repair or replacement.