

U S E R
MANUAL



Leapers
WWW.LEAPERS.COM

T H E B E S T N E V E R R E S T

WWW.LEAPERS.COM

Proudly Presents

**RANGE
ESTIMATING
SCOPE**

**RETICLE
INTENSIFIED
SCOPE**

in the following series



ACCUSHOT

ACCUSHOT®



5TH GEN™



**GOLDEN
IMAGE™**

Leadership Line

Top of the Line
Capturing Global Trends
Most Current Design
Most Advanced Technology

Flagship Line

Most Solid, Versatile Features
Complete Upgrade from Foundation
Best Value for the Money
Must-have for Hunting and Shooting

Foundation Line

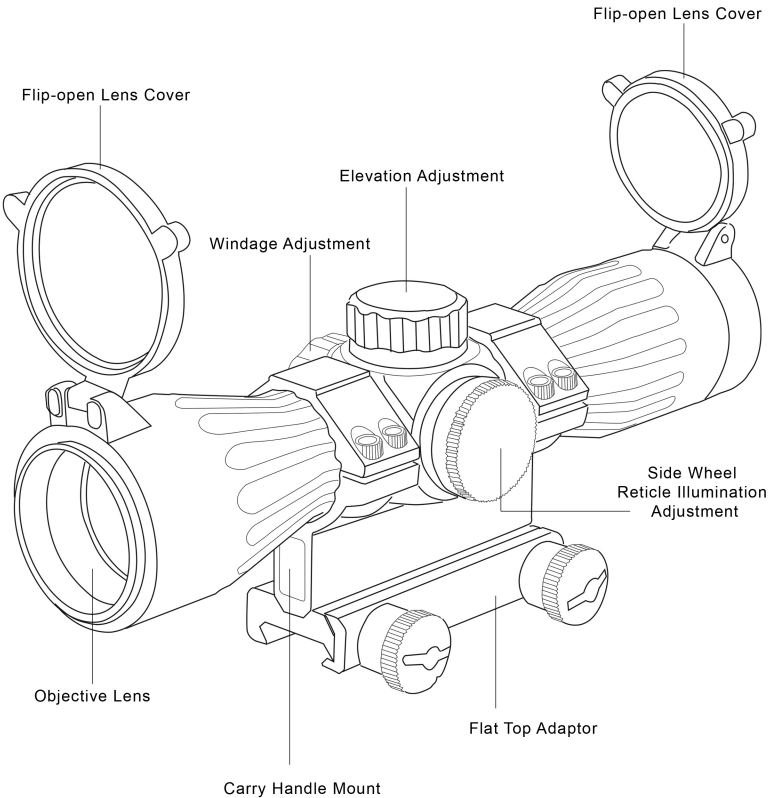
Most Rugged, Practical
Mature and Field Proven
Unique Features for
Unique Requirements



TOTAL SOLUTION TO YOUR NEEDS
-COMMITMENT TO BEST QUALITY, BEST VALUE AND BEST SERVICE-

RANGE ESTIMATING / RETICLE INTENSIFIED/ ADJUSTABLE OBJECTIVE COMPACT SCOPE

(RUBBERIZED VERSION)

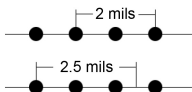


Major Features:

- **Rugged One Piece Tube Construction for All Terrains/Weather**
 - Precision machined to exact tolerances from aircraft-grade aluminum alloy.
 - Completely sealed and nitrogen filled to stop moisture ingress.
 - Perfect for all terrains and all weather conditions.
- **Sealed Windage and Elevation Housing and Turrets**
 - Windage and elevation housing features machine plate controlled seals, to eliminate risk of water ingress and fogging.
 - Turrets are manufactured with easy to grip finger adjusting design, making adjustments simple even whilst wearing gloves.
 - Positive and precise 1/4 MOA for accurate and consistent shooting.
- **Multi Layer Lens Coating for Optimum Light Transmission**
 - Unique high tech coatings applied to lens elements ensure much better light transmission to optimize optical performance.
 - Multi layer coatings ensure maximum utilization of all ambient light to optimize resolution and clarity.
- **Wide Field of View with Tactical Mil-Dot Reticle (For Range Estimating Models Only)**
 - Wide field of view and edge to edge lens clarity allow for clearly picking up quarry on the peripheral edge of the sight picture.
 - The precise Tactical Mil-Dot reticle allows the shooter to estimate ranges and enhance accuracy.
- **High Quality Precision Machined Parts**
 - Guarantees smooth and accurate operation, and deliver consistent and reliable performance.
- **Side Wheel Illumination Rheostat with Flexible Red or Red/green Light Adjustment**
 - Third wheel easy-to-access illumination adjustment knob.
 - Red or red/green illuminated reticle with adjustable intensity gives optimum reticle clarity in variable light conditions, increasing accuracy in daylight and twilight environments.

A. Range Estimating:

Regular mil-dot reticle found on the market usually has 4 dots on each direction of the cross hair, giving you 9 different aiming points for either windage or elevation. If you count the 2 inner tips of the opposite duplex cross hairs, you get 11 aiming points. Our own 24 Mil-Dot Reticle (TRE) has 6 dots on each direction of the cross hair, giving you 13 aiming points or 15 including the inner tips of the duplex cross hairs.



- Range estimating requires common knowledge/experience about your target's actual width or height.
- 1 mil in a scope reticle is the distance from the center of one dot to the center of the next dot.
- Set your scope at the highest power. View the target through the scope. Place the center of the dot against one edge of the target and measure to the opposite edge of the target.
- Once the target has been measured in mils, depending on the scope model, a formula is available to estimate the distance of the target. An example formula for 4X32 and 6X32 Compact Size Scope is provided here for your reference:

$$\frac{\text{Height or Width of Target in Meters} \times 333}{\text{Height or Width of Target in Mils.}} = \text{Range in Meters (1M = 1.0936 Yards)}$$

- For accurate range estimating the size of the target must be known.
- Each model comes with its own formula and a pre-calculated mil-dot table of most used distance estimates to aid the user.

B. Mounting the Scope:

CAUTION: Always ensure your rifle is UNLOADED, UNCOCKED and, where fitted, the safety catch is applied before fitting the scope. Practice safe handling procedures at all times.

1. Ensure you have top quality rings from us, buying cheap rings is a false economy and can result in poor performance from your combo.
2. Fit the ring bases to the mount rail of the rifle.
3. Remove the top piece of the ring and place the scope on the exposed fitted ring bases. Replace the top piece of the ring and finger tighten.
4. Put the rifle to your shoulder in your natural shooting position and adjust the scopes eye relief until you achieve a full field of view.
5. When you have found the ideal eye relief rotate the scope so the reticle cross hairs are vertical and perpendicular to the rifle.
6. Tighten the screws on the ring to ensure a firm grip on the scope.
WARNING: Do not over tighten the screws as you could cause damage to the scope body.
7. The scope is now ready to be zeroed.



C. Zeroing the Scope:

The purpose of zeroing the scope is to ensure that the scope is aligned with the impact point of the pellet or bullet from the rifle.

1. Place a target 100 yards away. (35 yards for airgun scopes)
2. Ideally use a steadying device such as a bipod or shooting stand, set the scope at the highest magnification, aim at the center of the target and fire a test shot, if safe to do so.
3. If the impact point of the pellet or bullet is exactly in the center of the target then the scope is zeroed. If it is not, you will need to adjust the reticle using the elevation and / or windage adjusters as follows:
 - 1) Vertical Adjustment (Elevation) - Unscrew the protective cover on the top of the scope. Use your fingers to turn the adjusting knob as required. One click in either direction equals approximately 1/4 inch at 100 yards. Re-attach and tighten the protective cover.
 - 2) Horizontal Adjustment (Windage) - Unscrew the protective cover on the right side of the scope. Use your fingers to rotate the adjusting knob as required. One click in either direction equals approximately 1/4 inch at 100 yards. Re-attach and tighten the protective cover.
4. Having adjusted the windage and elevation as required, fire, if safe to do so, another test shot. Keep adjusting and test firing until the test shot impacts on the center of the target when the reticle is on the center of the target. This can seem a tedious process but is vital for accurate shooting.

(Adjusters Example:
Appearance may vary.)



Note: Each click of adjustment moves the impact point by the amount shown in the table below:

Inches of Movement per Click in Windage/Elevation Models with 1/4 in. Per Click @ 100 Yards				
25yds	35yds	50yds	100yds	200yds
1/16	7/80	1/8	1/4	1/2

Note: Since climatic conditions such as altitude, temperature, wind and rain can affect the pellets or bullets trajectory, you may experience some deviation in the exact settings during different shooting sessions.

D. Adjusting Parallax and Focus (Optional):

1. Aim the scope at your target.
2. Adjust the eyepiece until both the crosshair and the target are in sharpest focus.
3. Rotate the objective focus ring to the desired distance setting until the sharpest focus and the center of the crosshair stays on the target while you examine the image by slightly moving your head.

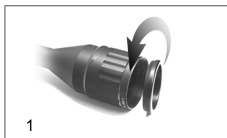


(Parallax adjustment for AO models only.)

Note: Different individuals will have different eye focus which will result in different diopter setting. A person will use different diopter settings with or without eye glasses.

E. Installing Sunshade (Optional):

1. Remove the front objective edge protective ring.
2. Screw on the proper sunshade to the front of the objective.



F. Adjusting Reticle Illumination (Optional):

Rotate the illumination adjustment control to adjust the intensity of illumination. The battery (included with the scope) is a coin style lithium battery. When replacing battery, remove the Battery Compartment lid and insert it with the positive (+) side outermost.



G. Care and Maintenance:

1. Take care not to drop or knock the scope once it is zeroed.
2. Keep the protective lens covers in place when the scope is not being used.
3. Maintain the metal surface of the scope by removing any dirt or sand with a soft brush so as to avoid scratching the finish.
4. Wipe the lens with a clean flannel cloth to keep it clean and dry. In order to avoid scratching the glass, ensure both the lens and cloth are clean. Do not use finger or finger nail to touch/clean lenses.
5. Store the scope in a cool dry place when not in use. Be careful to avoid contact with acid, alkaline or corrosive chemicals.
6. Do not attempt to lubricate any part of the scope.
7. Do not disassemble the scope. Do not loosen or remove screws or parts. Any such or similar actions will void the warranty.

CAUTION: Viewing the sun can cause serious eye injury. Never look directly into the sun with this or any scope.

H. Limited Lifetime Manufacturer's Warranty

Warranty against material or workmanship defects applies based on the following conditions -

- Scope was purchased new. Evidence of purchase is required for warranty service.
- Scope was not disassembled, parts / screws not removed or loosened, and the scope was not tampered with in any way. Any evidence of such interference will void the warranty.
- Scope has not been abused, maliciously damaged or treated in a manner not in keeping with the purpose it was designed for.

For Warranty service, please contact the scope distributor and provide a written problem description to obtain a Return Authorization Number before returning the product for repair or replacement.

W W W . L E A P E R S . C O M

LEAPERS, INC. 32700 CAPITOL STREET, LIVONIA, MI 48150
TEL: 734-542-1500 FAX: 734-542-7095 OFFICE@LEAPERS.COM