

U S E R
MANUAL



Leapers

WWW.LEAPERS.COM

THE BEST NEVER REST

WWW.LEAPERS.COM

Proudly Presents

**RANGE
ESTIMATING
SCOPE**

**RETICLE
INTENSIFIED
SCOPE**

in the following series



ACCUSHOT®

Leadership Line

Top of the Line
Capturing Global Trends
Most Current Design
Most Advanced Technology



5TH GEN™

Flagship Line

Most Solid, Versatile Features
Complete Upgrade from Foundation
Best Value for the Money
Must-have for Hunting and Shooting



GOLDEN
IMAGE™

Foundation Line

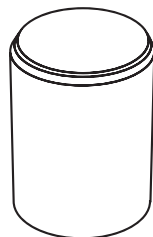
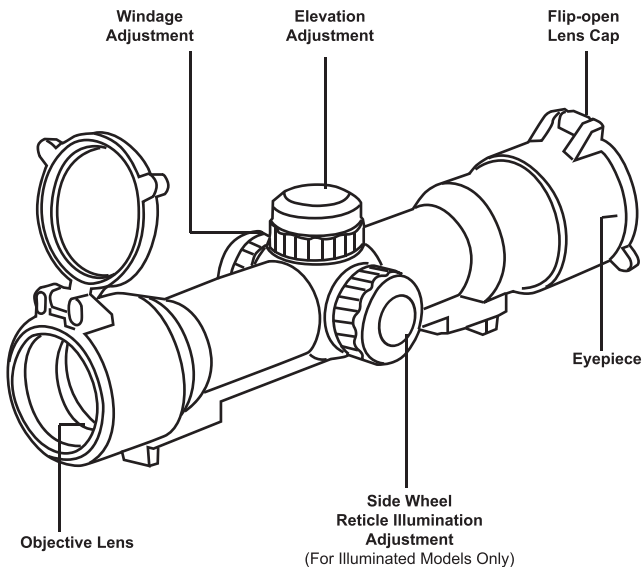
Most Rugged, Practical
Mature and Field Proven
Unique Features for
Unique Requirements



TOTAL SOLUTION TO YOUR NEEDS

-COMMITMENT TO BEST QUALITY, BEST VALUE AND BEST SERVICE-

RANGE ESTIMATING / RECTICLE INTENSIFIED / ADJUSTABLE OBJECTIVE SCOPE



* Actual scope appearance may differ from the diagram

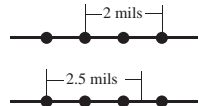
Major Features:

- » **Rugged One Piece Metal Injection Molded(MIM) Tube Construction for All Terrains/ Weather**
 - Precision machined to exact tolerances from aircraft-grade aluminum alloy.
 - Completely sealed and nitrogen filled to stop moisture ingress.
 - Perfect for all terrains and all weather conditions.
- » **Sealed Windage and Elevation Housing and Turrets**
 - Windage and elevation housing features machine plate controlled seals, to eliminate risk of water ingress and fogging.
 - Turrets are manufactured with easy to grip finger adjusting design, making adjustments simple even whilst wearing gloves.
 - Positive and precise click adjustment for accurate and consistent shooting.
- » **Multi Layer Lens Coating for Optimum Light Transmission**
 - Unique high tech coatings applied to lens elements ensure much better light transmission to optimize optical performance.
 - Multi layer coatings ensure maximum utilization of all ambient light to optimize resolution and clarity.
- » **Wide Field of View with Tactical Range Estimating Reticle**
 - Wide field of view and edge to edge lens clarity allow for picking up quarry clearly on the peripheral edge of the sight picture.
 - The precise range estimating reticle allows the shooter to estimate ranges and enhance accuracy.
- » **High Quality Precision Machined Parts**
 - Guarantees smooth and accurate operation and delivers consistent and reliable performance.
- » **Side Wheel Illumination Rheostat with Flexible Light Adjustment**
 - Third wheel easy-to-access illumination adjustment knob.
 - Illuminated reticle with adjustable intensity gives optimum reticle clarity in variable light conditions, increasing accuracy in daylight and twilight environments.

A. Range Estimating (For Models with Mil-Dot Reticle Only):

Regular mil-dot reticle found on the market usually has 4 dots on each direction of the cross hair, giving you 9 different aiming points for either windage or elevation. If you count the 2 inner tips of the opposite duplex cross hairs, you get 11 aiming points. Our own 24 Mil-Dot Reticle (TRE) has 6 dots on each direction of the cross hair, giving you 13 aiming points or 15 including the inner tips of the duplex cross hairs.

- Range estimating requires common knowledge/experience about your target's actual width or height.
- 1 mil in a scope reticle is the distance from the center of one dot to the center of the next dot.
- Set your scope at the proper power. View the target through the scope. Place the center of the dot against one edge of the target and measure to the opposite edge of the target.



- Once the target has been measured in mils, depending on the scope model, a formula is available to estimate the distance of the target. An example formula is provided here for explanation purpose. (Check the mil-dot card enclosed in your scope package to find the formula for your particular scope.)

For accurate range estimating the size of the target must be known.

$$\frac{\text{Height or Width of Target in Meters} \times 1000}{\text{Height or Width of Target in Mils}} = \text{Range in Meters (1M} = 1.0936 \text{ Yards)}$$

- Each model comes with its own formula and a pre-calculated mil-dot table of most used distance estimates to aid the user.

Note: For any other range estimating reticle, please refer to additional inserts in your package.

B. Focusing-Adjusting the Diopter

1. Look through the eyepiece at a featureless, flat and bright area such as a wall or open sky.
2. If the reticle image is not sharply defined, turn the eyepiece adjustment ring (in either direction) to adjust the image.

3. Repeat the steps until you are satisfied with the sharpness of the image. Adjust focus ring to the desired distance setting until the target is in the sharpest focus and the center of the crosshair stays on the target while you examine the image by slightly moving your head.

Note: Different individuals will have different eye focus which will result in different diopter setting. A person will use different diopter settings with or without eye glasses.

C. Mounting the Scope:

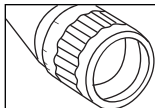
CAUTION: Always ensure your rifle is UNLOADED, UNCOCKED and, where fitted, the safety catch is applied before fitting the scope. Practice safe handling procedures at all times.

1. Ensure you have a top quality STANAG mount with precise dimensions. Low quality mount can result in poor shooting performance.
2. If you mount is previously installed on your rifle, please remove it to perform the scope installation first.
3. Drop the scope with its integral deck into the 2 STANAG cuts in your mount. Make sure it sits completely into the recesses of your mount for a leveled installation. The STANAG mounting deck on the scope is made with precise dimensions to achieve a tight fit. You may need to do some filing on the STANAG cuts of your mount if it has slightly variant dimensions. WARNING: DO NOT do filing without first verifying dimensions carefully. Please refer to the manual for your mount for product information, warning and fitting instructions.
4. Once the scope is completely seated into your mount, install the two screws from the bottom of your mount. Make sure the screws are tightened securely to ensure a firm grip on the scope. DO NOT over tighten the screws as you could cause damage to the internal threads.
5. Install the mount and scope combo onto your rifle. Please refer to the instructions of your mount to ensure correct installation.
6. The scope is now ready to be zeroed.



D. Adjusting Parallax (Optional):

1. Aim the scope at your target.
2. Rotate the objective focus ring to the desired distance setting until the target is in the sharpest focus and the center of the crosshair stays on the target while you examine the image by slightly moving your head.



(Parallax adjustment for AO models only.)

E. Zeroing the Scope:

The purpose of zeroing the scope is to ensure that the scope is aligned with the impact point of the pellet or bullet from the rifle.

1. Place a target 100 yards away. (35 yards for airgun scopes)
2. Ideally use a steadying device such as a bipod or shooting stand, set the scope at the highest magnification, aim at the center of the target and fire a test shot, if safe to do so.
3. If the impact point of the pellet or bullet is exactly in the center of the target then the scope is zeroed. If it is not, you will need to adjust the reticle using the elevation and / or windage adjusters as follows:
 - 1) Vertical Adjustment (Elevation) - Unscrew the protective cover on the top of the scope. Use your fingers to turn the adjusting knob as required. One click in either direction equals approximately 1/4 inch at 100 yards. Re-attach and tighten the protective cover.
 - 2) Horizontal Adjustment (Windage) - Unscrew the protective cover on the right side of the scope. Use your fingers to rotate the adjusting knob as required. One click in either direction equals approximately 1/4 inch at 100 yards. Re-attach and tighten the protective cover.
4. Having adjusted the windage and elevation as required, fire, if safe to do so, another test shot. Keep adjusting and test firing until the test shot impacts on the center of the target when the reticle is on the center of the target. This can seem a tedious process but is vital for accurate shooting.

Adjusters Example:
Appearance may vary



Note: Since climatic conditions such as altitude, temperature, wind and rain can affect the pellets or bullets trajectory, you may experience some deviation in the exact settings during different shooting sessions.

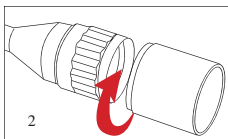
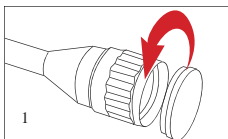
Note: Each click of adjustment moves the impact point by the amount shown in the table below:

Inches of Movement per Click in Windage/Elevation					
	25yds	35yds	50yds	100yds	200yds
Model A	1/8	7/40	1/4	1/2	1/1
Model B	1/16	7/80	1/8	1/4	1/2
Model C	1/32	7/160	1/16	1/8	1/4

Note: Model A : 1/2 in. Per Click @ 100 Yards
Model B : 1/4 in. Per Click @ 100 Yards
Model C : 1/8 in. Per Click @ 100 Yards

F. Installing Sunshade (Optional):

1. Remove the front objective edge protective ring.
2. Screw on the proper sunshade to the front of the objective.
3. Screw the protective ring onto the sunshade.



G. Adjusting Reticle Illumination (Optional):

Rotate the illumination adjustment control to adjust the intensity of illumination. The battery (included with the scope) is a coin style lithium battery. When replacing battery, remove the Battery Compartment lid and insert it with the positive (+) side facing up. There are tension springs inside the battery compartment lid. To ensure good contact with battery, adjust spring tension before replacing the lid.



H. Care and Maintenance:

1. Take care not to drop or knock the scope once it is zeroed.
2. Keep the protective lens covers in place when the scope is not being used.
3. Maintain the metal surface of the scope by removing any dirt or sand with a soft brush so as to avoid scratching the finish.
4. Wipe the lens with a clean flannel cloth to keep it clean and dry. In order to avoid scratching the glass, ensure both the lens and cloth are clean. Do not use finger or finger nail to touch/clean lenses.
5. Store the scope in a cool dry place when not in use. Be careful to avoid contact with acid, alkaline or corrosive chemicals.
6. Do not attempt to lubricate any part of the scope.
7. Do not disassemble the scope. Do not loosen or remove screws or parts. Any such or similar actions will void the warranty.

I. Limited Lifetime Manufacturer's Warranty

Warranty against material or workmanship defects applies based on the following conditions -

- Scope was purchased new. Evidence of purchase is required for warranty service.
- Scope was not disassembled, parts / screws not removed or loosened, and the scope was not tampered with in any way. Any evidence of such interference will void the warranty.
- Scope has not been abused, maliciously damaged or treated in a manner not in keeping with the purpose it was designed for.

For Warranty service, please contact the scope distributor and provide a written problem description to obtain a Return Authorization Number before returning the product for repair or replacement.

W W W . L E A P E R S . C O M

LEAPERS, INC. 32700 CAPITOL STREET, LIVONIA, MI 48150
TEL: 734-541-1500 FAX: 734-542-7095 OFFICE@LEAPERS.COM